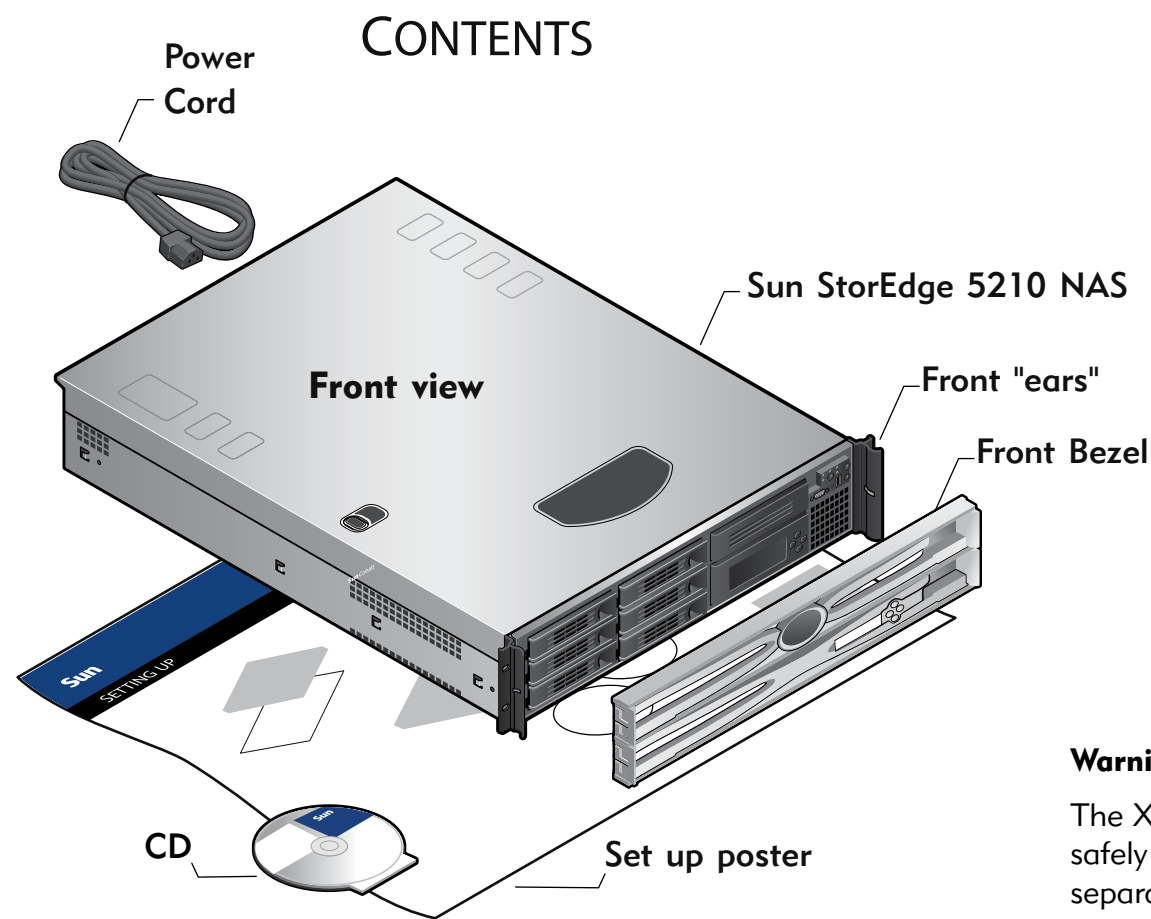


SETTING UP the Sun StorEdge™ 5210 NAS



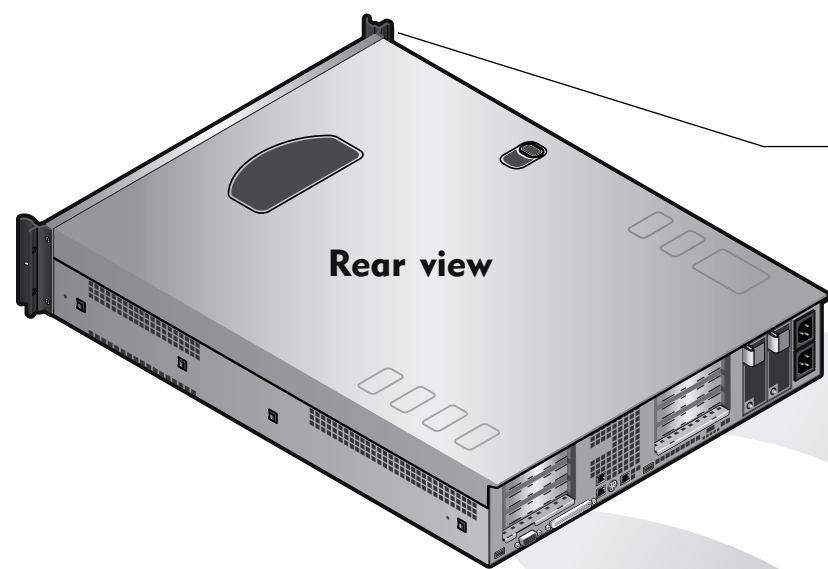
Warning:

The X5030A slide rail kit is required to safely mount this unit. The kit is sold separately.

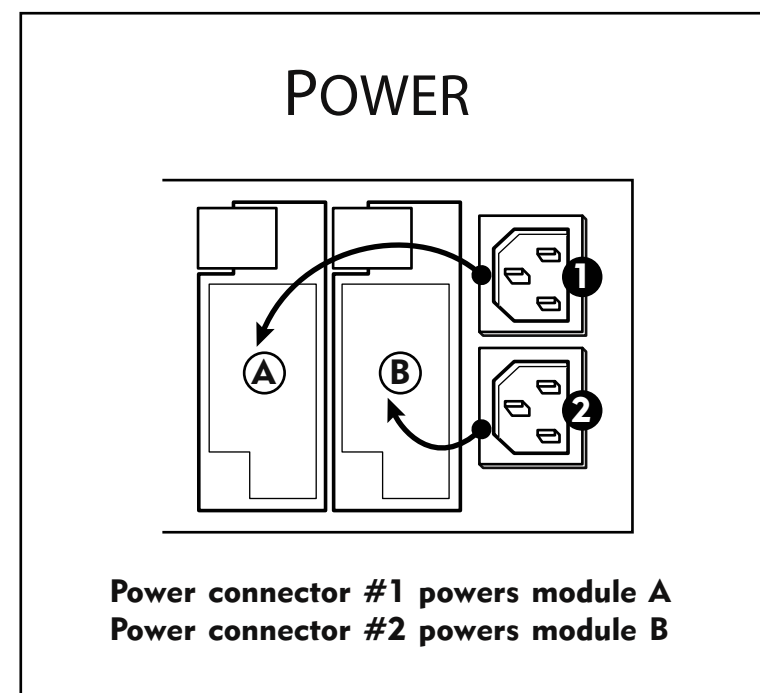
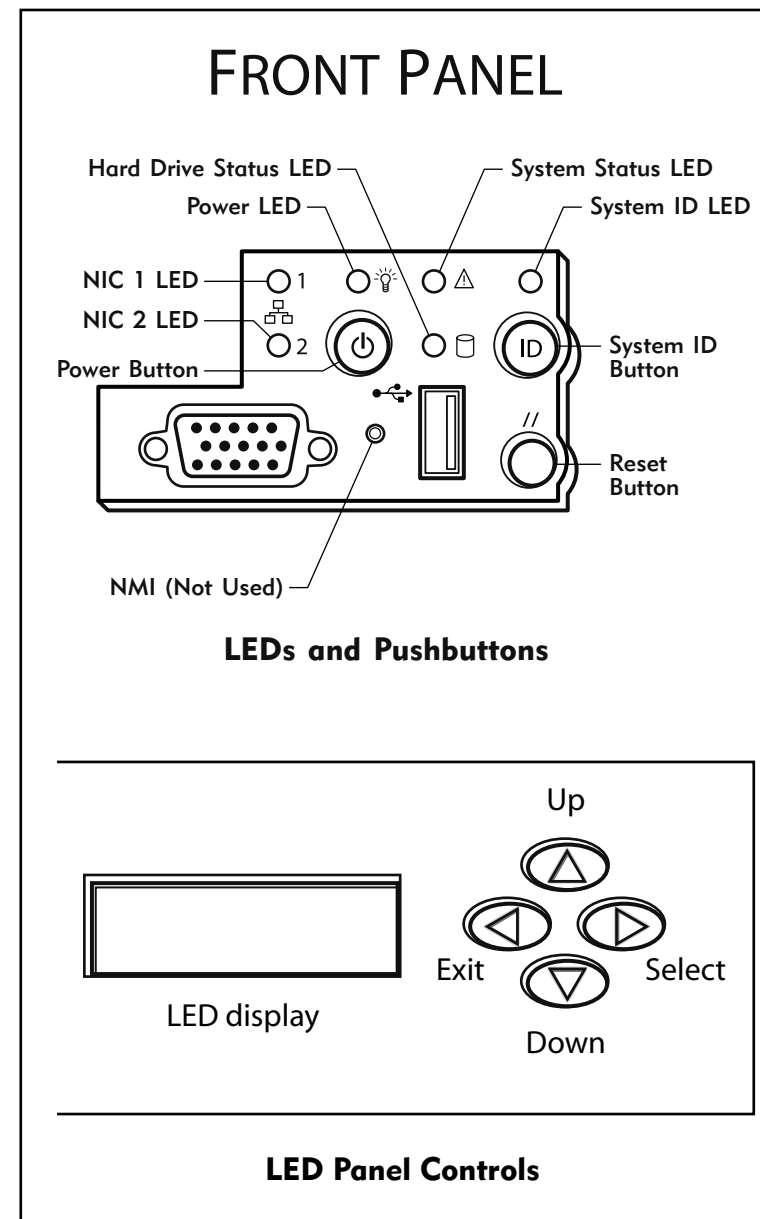
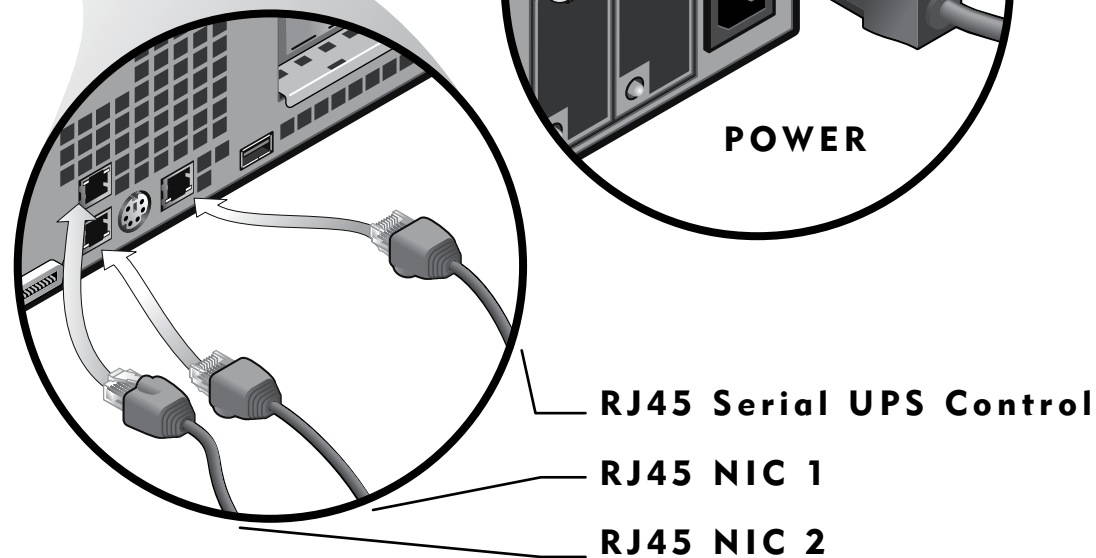
Detailed installation instructions are included with the kit.

Using a kit other than the X5030A could create a safety hazard or damage the system or cabinet.

The front "ears" hold the bezel. Do not use them for rack mounting.



CABLING



POWERUP

NOTE: Always power on the units in the following order:
 1. Expansion Storage Modules (JBOD) first.
 2. Sun StorEdge™ 5210 NAS Filer.

1. Power on the JBOD (if present) power switches and allow the hard drives to spin up for a minute. If you do not have a JBOD, skip to the next step.
2. Turn on the Sun StorEdge 5210 NAS by pressing its power switch.

If DHCP is used, the IP address is automatically configured. Skip Network Setup without DHCP and go to System Configuration.

NETWORK SETUP without DHCP

If your network does not support DHCP, follow these steps to manually configure the IP address using the LCD Panel Controls:

1. Press the Select button once, then select Set Static IP.
2. Enter or accept the values listed below, then move the cursor to the far right to save them:
 - * IP Address
 - * Subnet mask
 - * Broadcast Address
 - * Gateway Address (if necessary)

SYSTEM CONFIGURATION

Using a separate system with a Java-enabled browser connected to the network:

1. Make sure the network link LED is green.
2. Enter the 5210's IP address.

NOTE: You must use a Java-enabled browser. If not already installed, the Configuration Wizard prompts you to allow your browser to install the Java Plug-in from the Internet. Click Yes.

After installing the Java Plug-in, it takes about 45 seconds for the Login page to load. If you have trouble connecting, try enabling the browser option to bypass the proxy server for local addresses.

3. Click Apply to log in. (no passwords are required at this point). The system displays the End-User agreement.
4. Click Accept Agreement to continue. The system prompts you to start the Configuration Wizard.
5. Click Next to start the Configuration Wizard.
6. Follow the steps in the Configuration Wizard to complete the system setup.